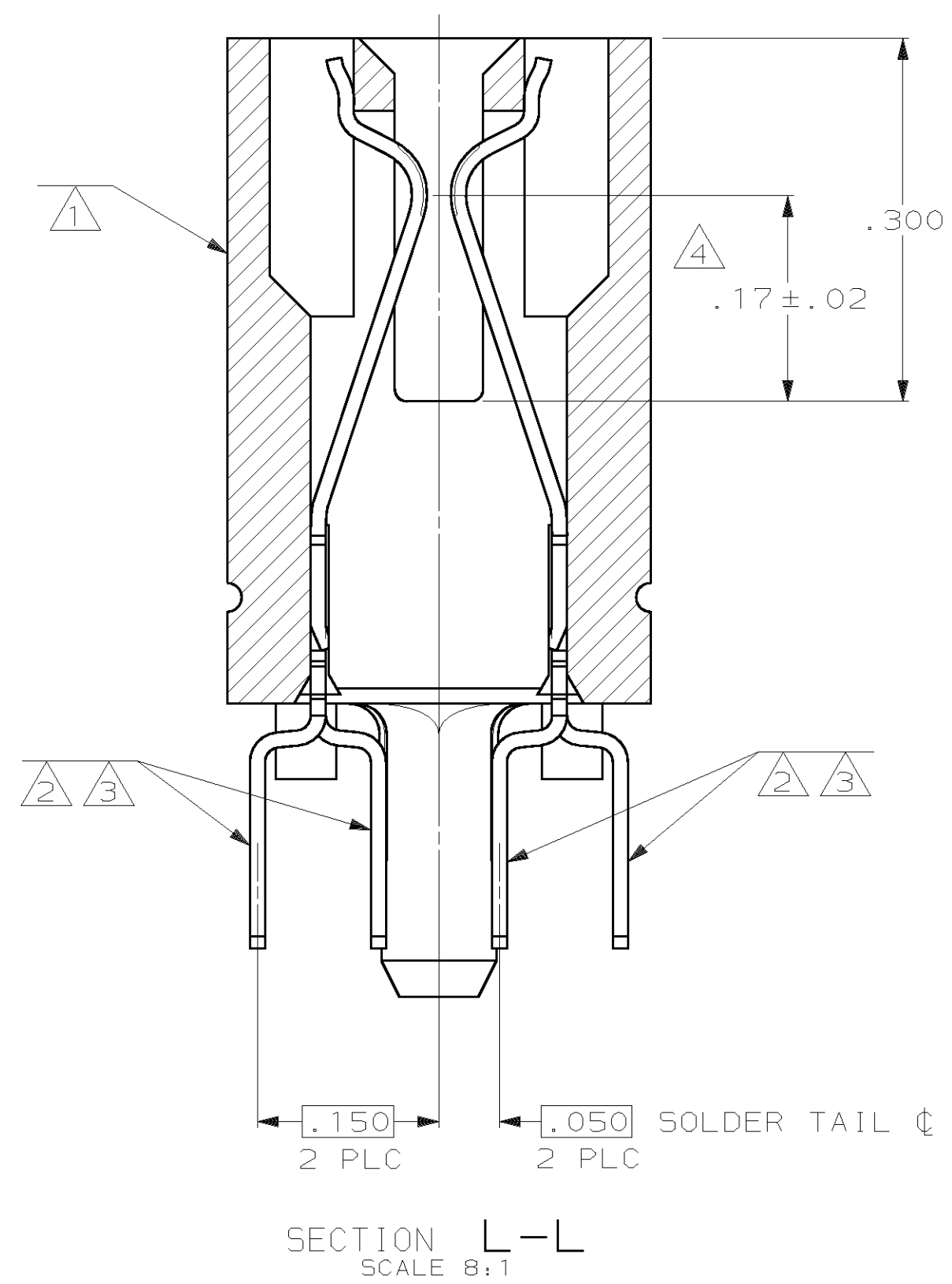
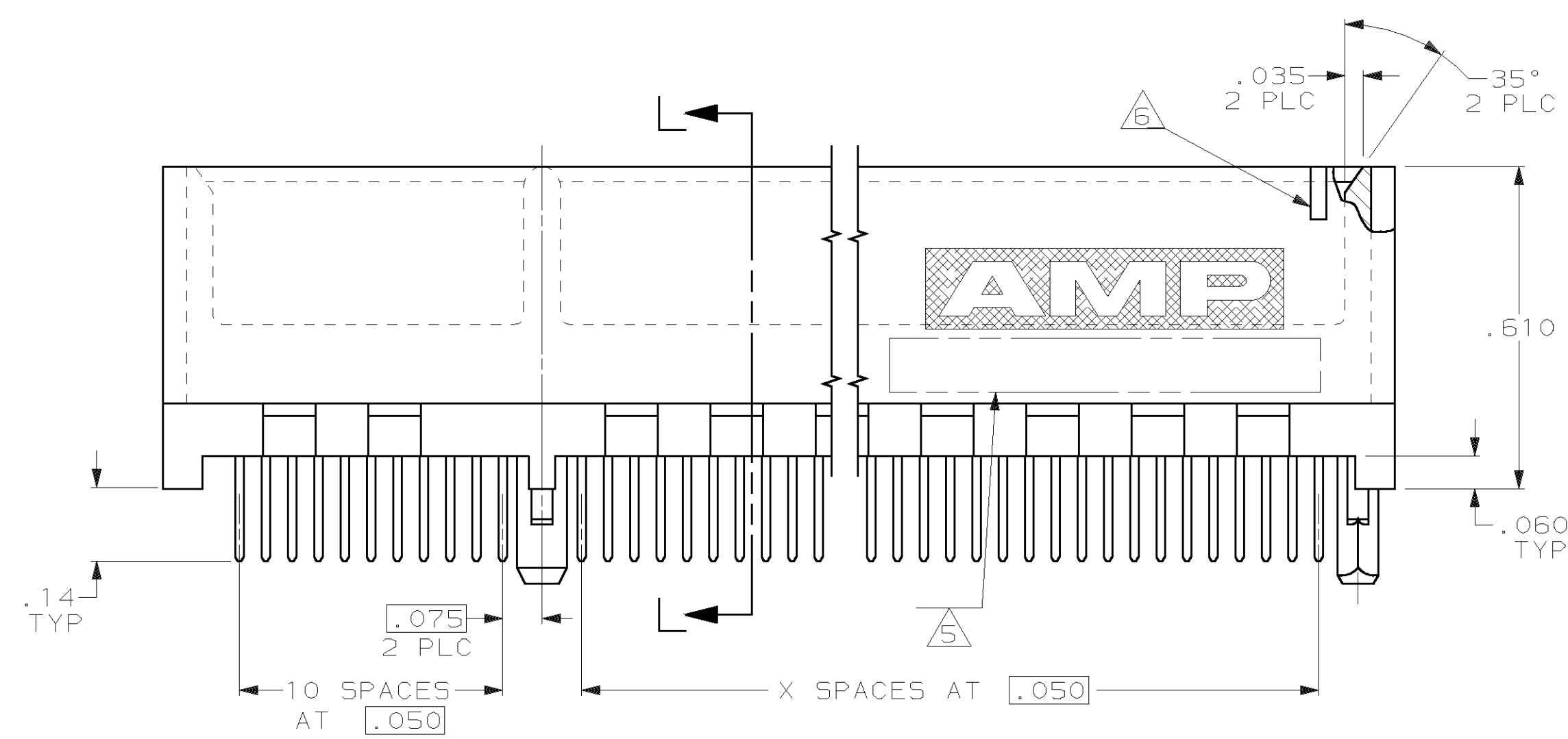
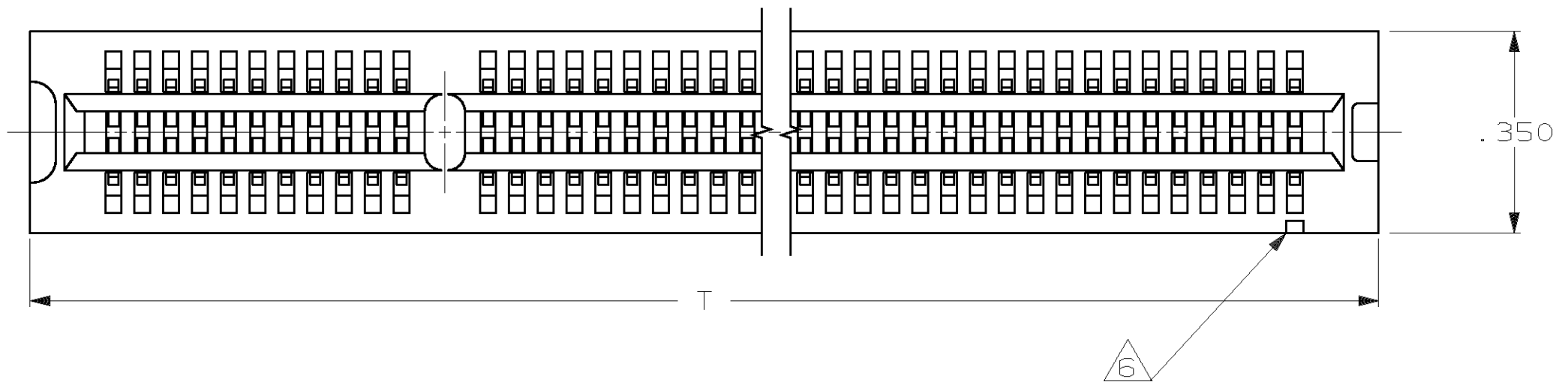
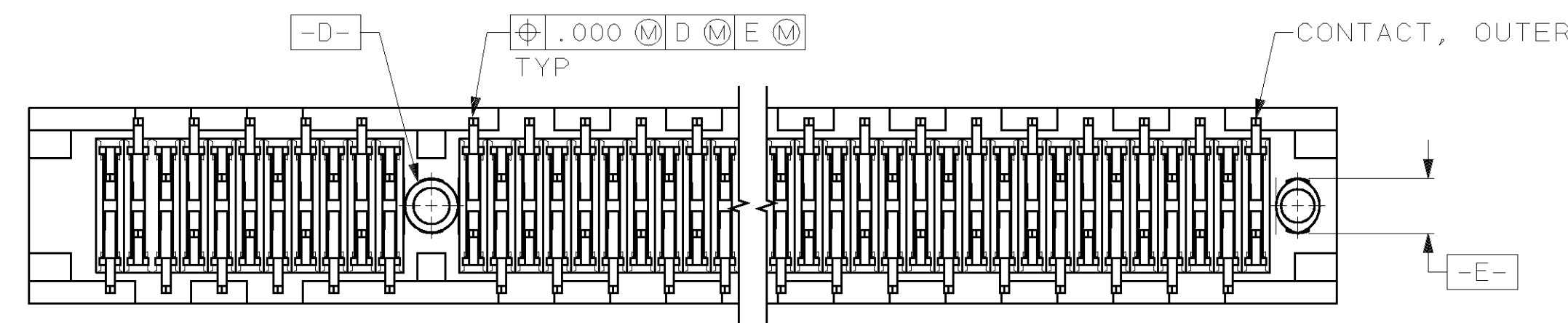


LOC	DIST	P	F	ZONE	LTR	DESCRIPTION	DATE	APPD
AD	14							
				D		REDRAWN PER AD-5103	3/91	MB
				E		REVISED PER AD6120	3/31/92	MB
				F		REVISED PER AD6278	3/31/92	MB
				G		REVISED PER 0010-0072-96	5/16/96	RB MB
				H		REVISED PER 0430-0281-96	7/23/97	RB MB
				J		REV PER EC 0651-0081-99	04/09/99	KW



- 1 HOUSING: HIGH TEMPERATURE THERMOPLASTIC. COLOR: BROWN.
- 2 CONTACT: PHOSPHOR BRONZE.
- 3 CONTACT FINISH: .000100 MIN NICKEL ALL OVER. .000030 MIN GOLD OVER NICKEL IN CONTACT AREA. .000100 MIN TIN-LEAD OVER NICKEL ON SOLDER TAILS.
- 4 DISTANCE FROM CONTACT POINT TO BOTTOM OF CARD SLOT.
- 5 AMP PART NUMBER, DATE CODE AND CSA LOGO MARKED IN APPROXIMATE AREA SHOWN.
- 6 PIN ONE IDENTIFIER NOTCH ONLY ON PART NUMBERS INDICATED.

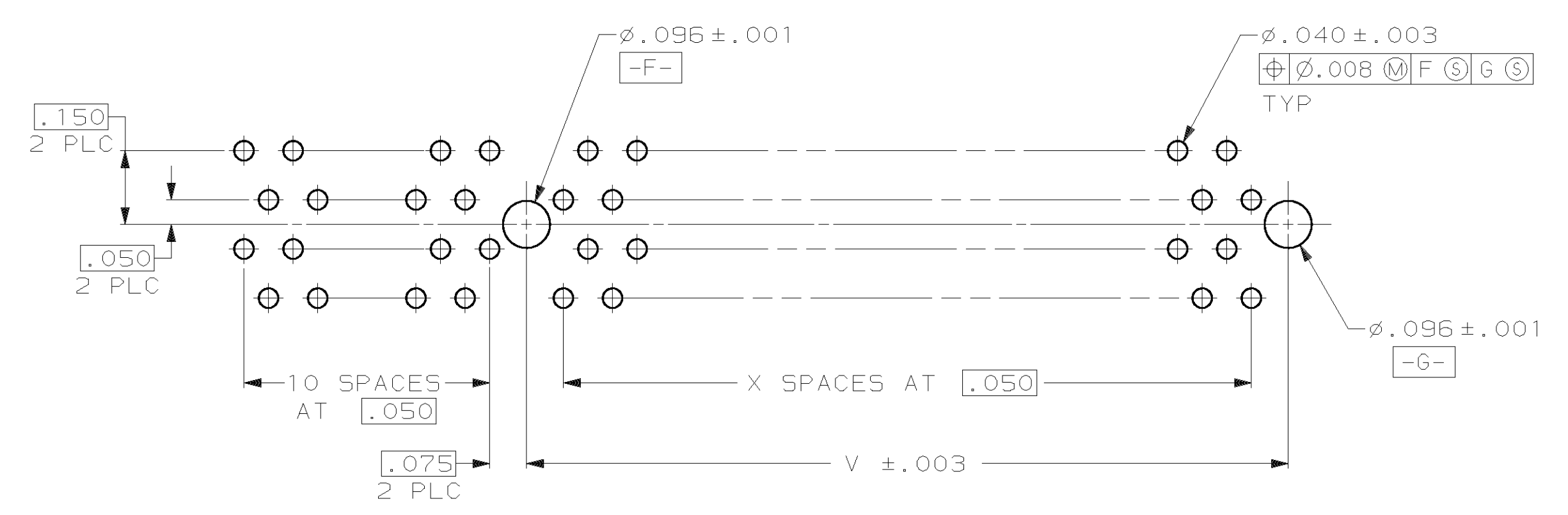


SEE SHEET 2 FOR HOLE PATTERNS

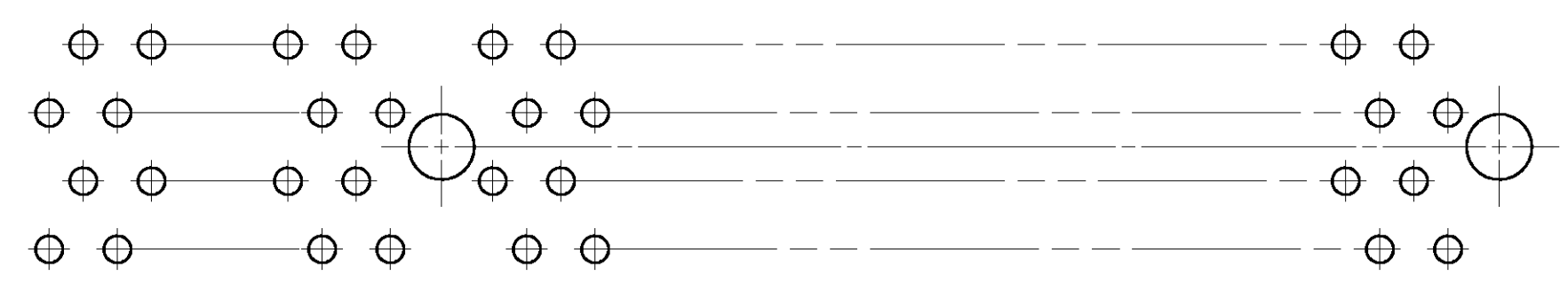
NO	B	.700	.660	1.49	11	23	650181-3
NO	A	1.550	1.510	2.34	28	40	650181-2
YES	A	2.350	2.310	3.14	44	56	650181-1
PIN ONE IDENTIFIER	HOLE PATTERN	V	U	T	X	NO OF DUAL POSN	PART NUMBER

DO NOT SCALE PRINT. UNLESS SPECIFIED DIMENSIONS IN mm [INCHES] TOLERANCES ON: 2 PLC DEC ± .01 3 PLC DEC ± .005 ANGLES ± 2°	DR 3/20/91 K.L.CLOUSER/UTA CHK 11-21-91 M.BOWERS APPD 11-21-91 M.THUMMA APPD 11-21-91 M.BOWERS	AMP Incorporated Harrisburg, PA 17105-3608		
MATERIAL HOUSING: 1 CONTACT: 2	PRODUCT SPEC 108-14034			NAME CONNECTOR ASSEMBLY, DUAL POSITION, .050 SERIES, STANDARD EDGE
FINISH CONTACT: 3	APPLICATION SPEC 114-26012	SIZE D	CAGE CODE 00779	DRAWING NO 650181
WEIGHT		SCALE 4:1	SHEET 1 OF 2	

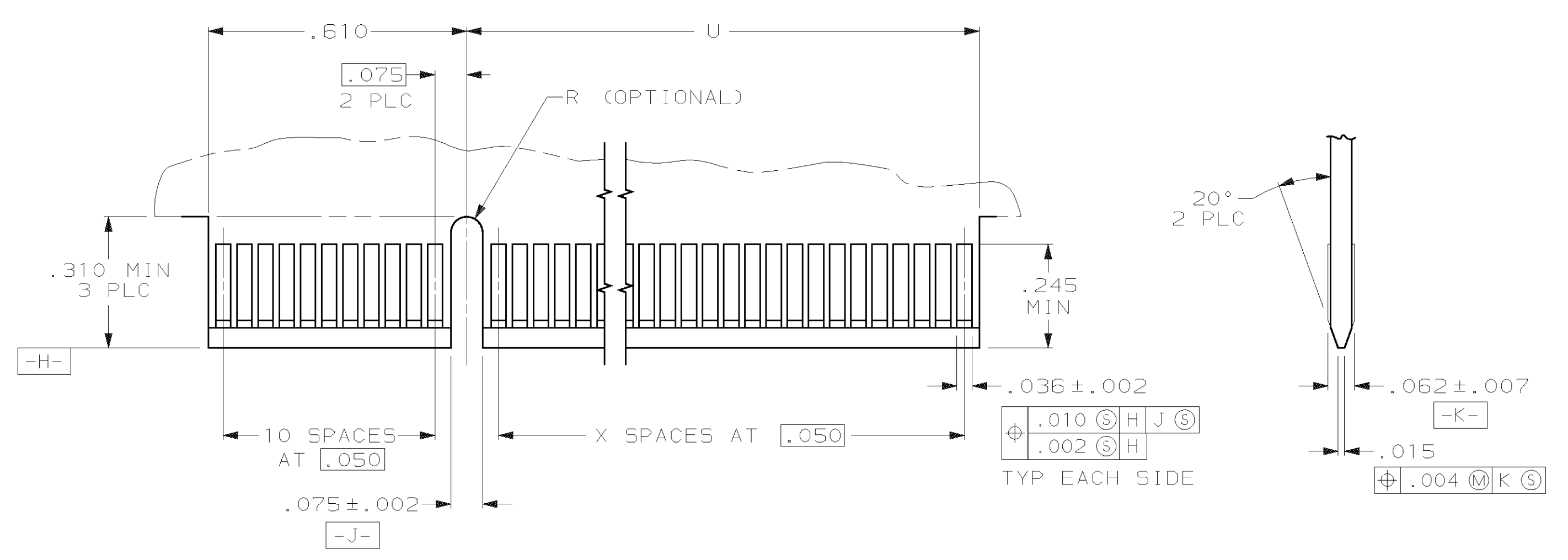
LOC		DIST		P		F		ZONE		LTR		REVISIONS		DATE	APPD
AD	14											J	SEE SHEET 1	-	-



RECOMMENDED CONNECTOR MOUNTING HOLE PATTERN A
 (CONNECTOR SIDE SHOWN)



RECOMMENDED CONNECTOR MOUNTING HOLE PATTERN B
 (CONNECTOR SIDE SHOWN)



RECOMMENDED MATING BOARD EDGE CONFIGURATION

DO NOT SCALE PRINT. UNLESS SPECIFIED DIMENSIONS IN mm (INCHES) TOLERANCES ON: 2 PLC DEC $\pm .01$ 3 PLC DEC $\pm .005$ ANGLES $\pm 2^\circ$	DR 3/20/91 K.L.CLOUSER/UTA	AMP Incorporated Harrisburg, PA 17105-3608	
	CHK 11-21-91 M.BOWERS		NAME CONNECTOR ASSEMBLY, DUAL POSITION, .050 SERIES, STANDARD EDGE
	APPD 11-21-91 M.THUMMA		
MATERIAL HOUSING: ① CONTACT: ②	APPD 11-21-91 M.BOWERS	PRODUCT SPEC 108-14034	
FINISH CONTACT: ③	APPLICATION SPEC 114-26012	WEIGHT	
	SIZE D	CAGE CODE 00779	DRAWING NO 650181
	SCALE 4:1	SHEET 2 OF 2	